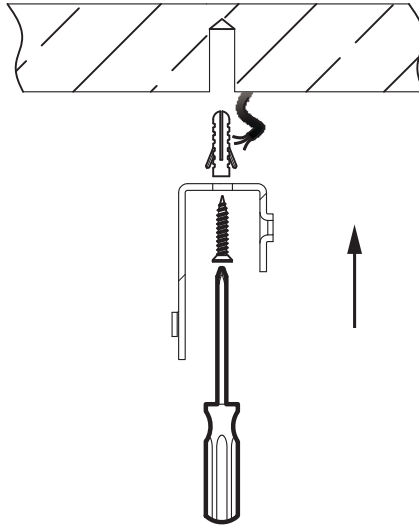
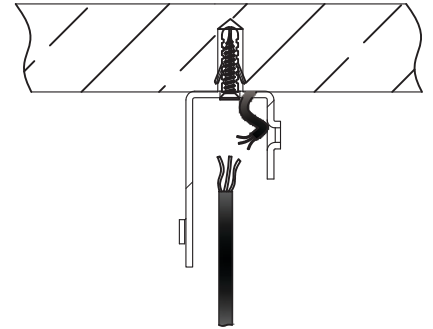


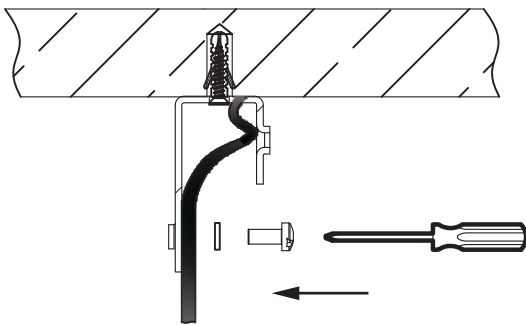
1. Set the positioning hole



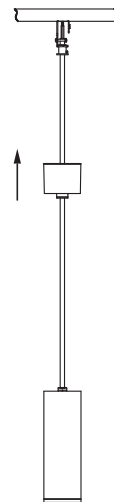
2. Install the bracket to the ceiling



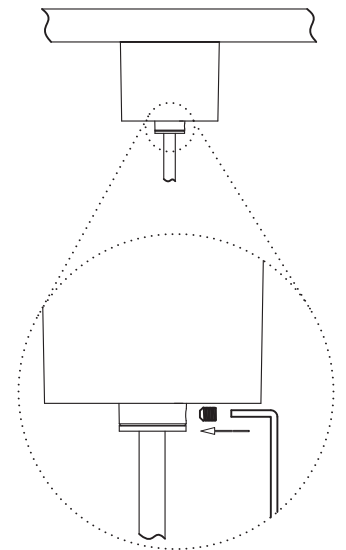
3. Connect the wire



4. Secure the wire to the bracket



5. Install the canopy to the ceiling



6. Screw lock the canopy

