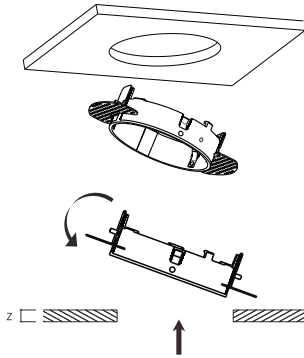


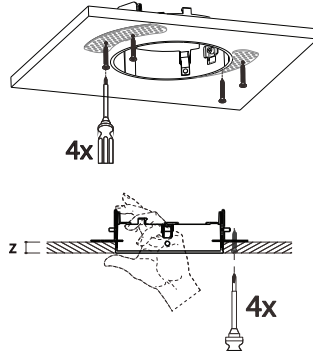
FIXTURE INSTALLATION

▲ MINIMUM CEILING THICKNESS Z:1mm
MAXIMUM CEILING THICKNESS Z:20mm

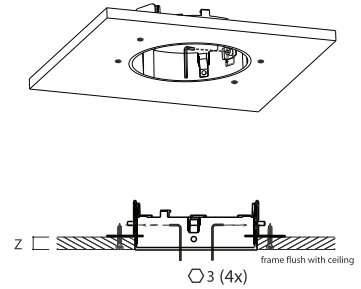
⚡ Please make sure that mains is disconnected before proceeding!



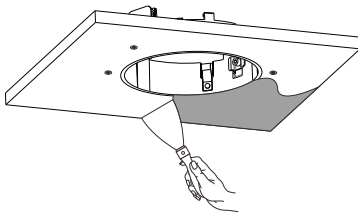
Step 1. Cut specified size and fit mounting kit into ceiling hole



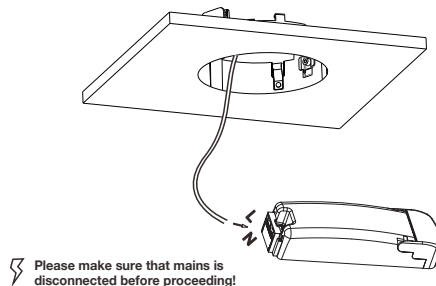
Step 2. Fit two brackets of mounting kit by 4 screws



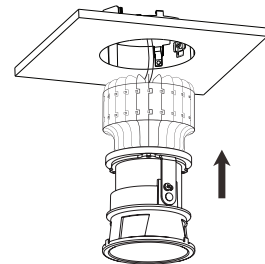
Step 3. Use hex wrench to tighten frame with brackets while adjusting the bottom of frame to be flush with ceiling



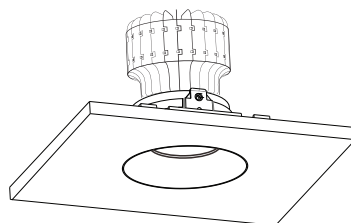
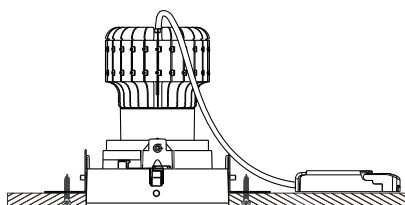
Step 4. Plaster ceiling to hide screws and mounting kit



Step 5. Connect the power wires from AC power source to primary side (L&N) of driver, then connect driver and fitting by harness connector



Step 6. Insert LED driver and all excess wires into ceiling then carefully insert light fitting into mounting kit until fitting is locked by springs inside of frame



Installation complete