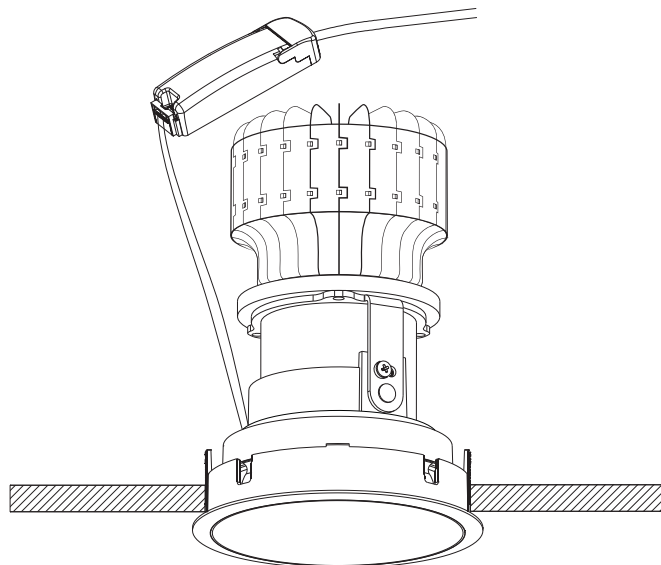
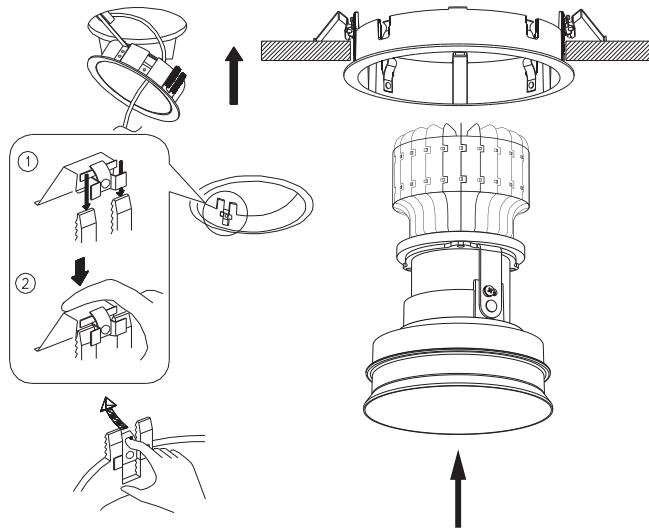
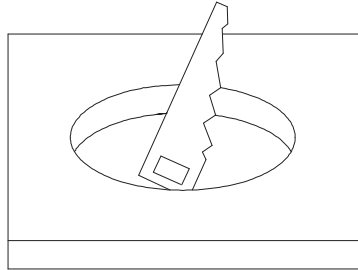


FIXTURE INSTALLATION

⚠ MINIMUM CEILING THICKNESS Z:5mm
MAXIMUM CEILING THICKNESS Z:20mm

⚡ Please make sure that mains is disconnected before proceeding!



↓ To replace LED module,
remove the reflector from
the mounting bracket.