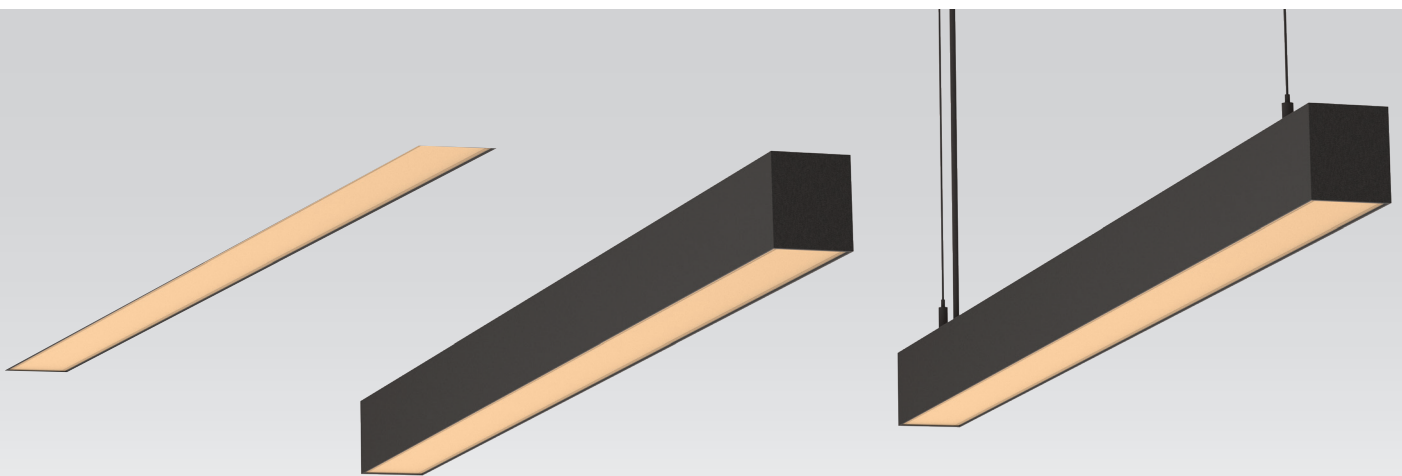




LT65F PROFILE

FLAT LINEAR TASK LUMINAIRE



Trimless Recessed



Surface



Suspended

AVAILABLE OPTIONS

COLOUR OPTIONS

MATT BLACK

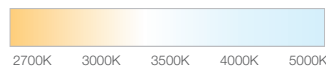


MATT WHITE



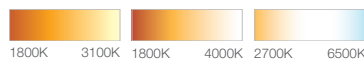
CCT OPTIONS

SINGLE CCT



ProART

tuneWHITE



tuneWHITE

DIMENSIONS (MM)

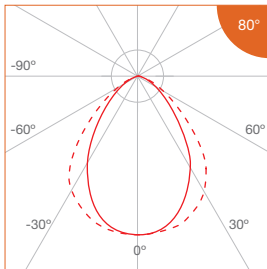




Downlight_ Workspace Lighting

| | |
|-----------------------|--|
| Type | 65mm width high-efficiency linear LED luminaire with interlocking mechanism for continuous application |
| Material | Aluminium and PC |
| Finishing | Matt Black / Matt White |
| Cover | Micro-prismatic |
| Light Uniformity | Dot-less |
| Mounting | Surface, suspended, or trimless recessed |
| CRI | ProART |
| SDCM | 3 step MacAdam ellipse binning |
| Lifetime | Up to 50,000 hours L80 lamp life at Ta = 25°C |
| Voltage | 220-240V AC |
| Power (Length) | 25W (1200mm), 31W (1500mm) |
| Beam Angle | 80° |
| Operating Temperature | Ta (min) = -20°C, Ta (max) = +50°C |
| Wire Connection | Push-pin terminals |
| IP Rating | IP20 |
| Unfied Glare Rating | UGR<19 |

PHOTOMETRICS





Downlight_ Workspace Lighting

SPECIFICATIONS

- Single CCT

| CCT | Efficacy (lm/W) | Luminous Flux (lm) | |
|-------|-----------------|--------------------|--------------|
| | | 31W (1500mm) | 25W (1200mm) |
| 2700K | 121.9 | 3779 | 3048 |
| 3000K | | | |
| 3500K | | | |
| 4000K | 128.0 | 3968 | 3200 |
| 5000K | | | |

- tuneWHITE 1800K - 3100K

| CCT | Efficacy (lm/W) | Luminous Flux (lm) | |
|-------|-----------------|--------------------|--------------|
| | | 31W (1500mm) | 25W (1200mm) |
| 1800K | 116.1 | 3600 | 2903 |
| 3100K | 121.9 | 3780 | 3048 |

- tuneWHITE 1800K - 4000K

| CCT | Efficacy (lm/W) | Luminous Flux (lm) | |
|-------|-----------------|--------------------|--------------|
| | | 31W (1500mm) | 25W (1200mm) |
| 1800K | 116.1 | 3600 | 2903 |
| 4000K | 128.0 | 3968 | 3200 |

- tuneWHITE 2700K - 6500K

| CCT | Efficacy (lm/W) | Luminous Flux (lm) | |
|-------|-----------------|--------------------|--------------|
| | | 31W (1500mm) | 25W (1200mm) |
| 2700K | 121.9 | 3779 | 3048 |
| 6500K | 128.0 | 3968 | 3200 |



Downlight_ Workspace Lighting

ORDERING MATRIX

| Model | Finishing | | Mounting | | Power | | Beam Angle | | CCT | | | Driver | | | | | |
|-------|-----------|------------|--------------------------|------------|-------|-------------------|------------|-----|------------|-----------|-------|--------|--------------|----|-------|----|-------|
| LT65F | WH | Matt White | SM | Surface | 25 | 25W (1200mm) | 80 | 80° | Single CCT | 27 | 2700K | ND | Non-dim | | | | |
| | | MB | | Matt Black | | PM | | | | Suspended | 31 | | 31W (1500mm) | 30 | 3000K | DA | DALI |
| | | | | RM | | Trimless Recessed | | | | | | | | | 35 | | 3500K |
| | 40 | 4000K | | | | | | | | | | | | | | | |
| | 50 | 5000K | | | | | | | | | | | | | | | |
| | tuneWHITE | TW1831 | tuneWHITE 1800K-3100K | | DA | DALI | | | | | | | | | | | |
| | | TW1840 | tuneWHITE 1800K-4000K | | | | | | | | | | | | | | |
| | | TW2765 | tuneWHITE 2700K-6500K | | | | | | | | | | | | | | |

Example: *LT65F-MB-SM-25-80-40-ND*
LT65F Linear Task Luminaire, Matt Black, Surface Mounted, 25W (1200mm), 80° Beam Angle, 4000K, Non-dim