

INVINCI TUBE RECESSED SINGLE POINT

9W / 18W INVINCI
RECESSED SINGLE POINT
MOUNTED LUMINAIRE



FIXTURE
COLOUR OPTIONS



Matt White



Matt Black

FEATURES



ELR®



- Supplied with non-dimmable or phase/0-10V/DALI dimmable LED driver
- >85lm/W
- Colour rendering index: 95
- Colour temperature options: 2700K, 3000K, 4000K
- Beam pattern options: 15°, 24°, 38°
- 3 steps MacAdam ellipse binning
- Uniform and comfort light
- IP20
- Ø78mm (9W) cutout / Ø98mm (18W) cutout

AVAILABLE OPTIONS

DRIVER



(ND)



(PH)



(AN)



(DA)

*All driver options are external.

ACCESSORIES



Honeycomb
Anti-Glare Louvre



Soft Lens

COLOUR TEMPERATURE



2700K

3000K

4000K



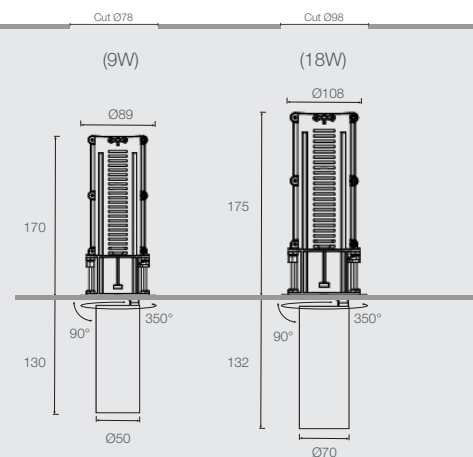
ProART

BEAM ANGLE



15° 24° 38°

DIMENSIONS (MM)



SYSTEM SPECIFICATIONS

				PROART CRI 95		
LED Lamp Power	LED System Power	Colour Temperature	Beam Angle	Intensity (cd)	Luminous Flux (lm)	Driver Options
9W	10W	WARM : 2700K WARM : 3000K NATURAL : 4000K	15°	8119	760	ND, PH, AN, DA
			24°	4364		
			38°	1801		
17.8W	20W		15°	14480	1540	
			24°	7280		
			38°	3733		

Data are based on 3000K. Nominal data of 2700K and 4000K are shared with 3000K.
Higher CCT of 4000K will have a nominal data value of 5% higher than published.

the table information is at nominal values accuracy of +/-7%
nominal CRI =95, equal to Ra >90-97, R9 > 50

DETAILS SPECIFICATION

Family Type	Tube Series
Mains Voltage	220-240V
Lifetime	50,000 hours (80% lumen maintenance at Ta = 25°C)
Dimming	Phase (trailing edge), 0-10V, DALI
Mains Connection	Screw terminal connection
Materials	Aluminium, plastic
Fire Safety	VW-1
Flammability Mark	F
IP Code	IP20
Safety Class	Class 2
Standards	IEC 60598-1, IEC 61347-2-13
Regulatory Markings	CE, CCC, RoHS

ORDERING MATRIX CHART

FIXTURE		LED MODULE				DRIVER
Type	Colour	LED Power	Beam Angle	Colour Temp	CRI	Dimming
INVINCI-SPM	WH Matt White	9 9W	15 15°	27 2700K	PA ProART	ND Non-Dim
	MB Matt Black	18 18W	24 24°	30 3000K		PH Phase
			38 38°	40 4000K	AN 0-10V	
					DA DALI	

example: INVINCI-SPM.WH.9.15.30.PA.ND