

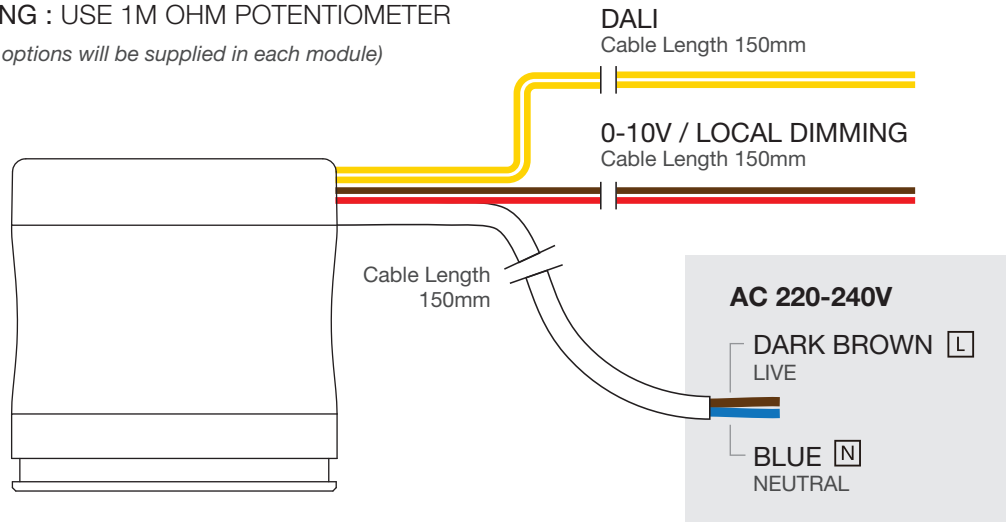
## NEST LED MODULE

**DALI** : DA+ DA-, NO POLARITY

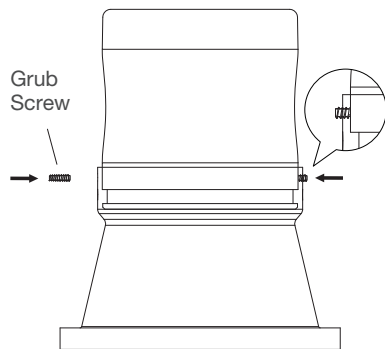
**0-10V** : RED FOR "+", BROWN FOR "-"

**LOCAL DIMMING** : USE 1M OHM POTENTIOMETER

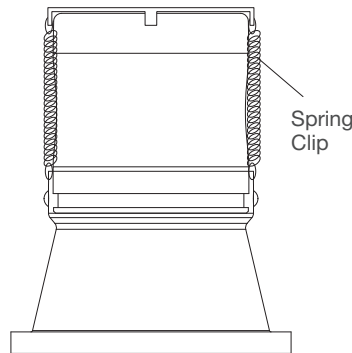
*(only one of above options will be supplied in each module)*



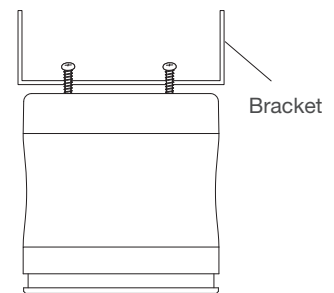
## Mounting Options for ELR Nest LED Module Series



**Method 1**  
Grub screw to tighten between module & fixture.

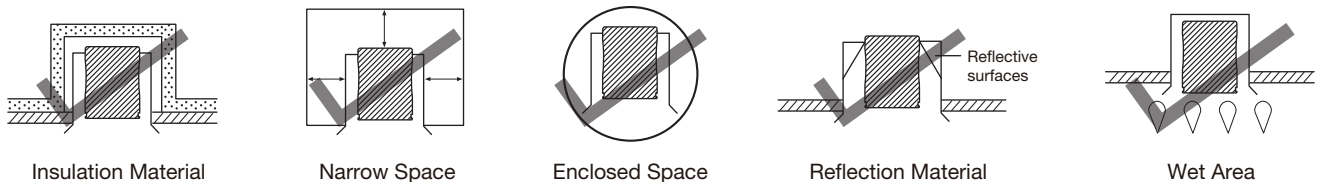


**Method 2**  
Attach module & fixture with spring clip.



**Method 3**  
Screw on bracket to module.

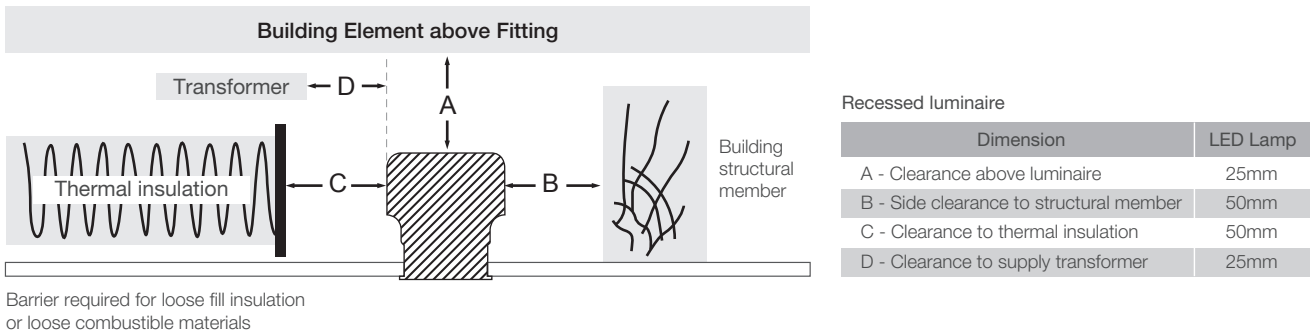
## LED Module Installation Conditions



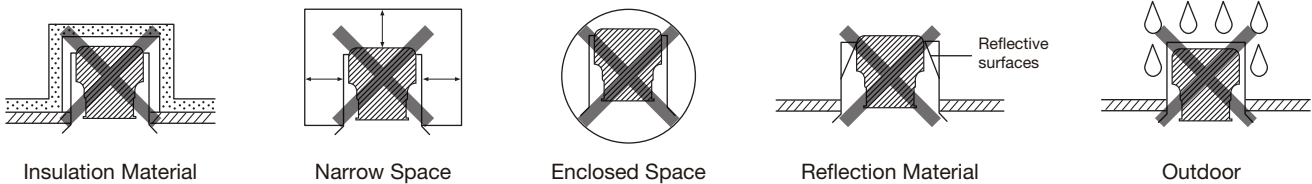


## CLASSIC / PRO LED MODULE

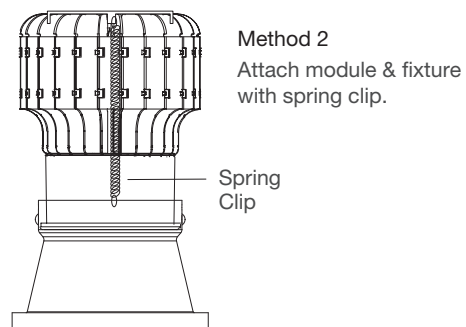
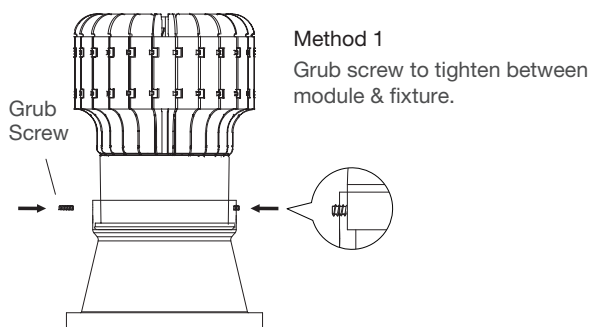
- Suitable for indoor installation only.
- Disconnect mains before proceeding.
- Locate fitting in accordance with local standards. Refer to image below for clearances.



**WARNING!** Use of ELR's light engine under the stated environments below will **NOT** be covered in our warranty.



### Mounting Options for ELR Classic / Pro LED Module Series



## LED Module Important Notes

### Environment (in maximum value)

Storage Temperature  
**-20°...85°**

Ambience  
**50°**

Working Humidity  
**85% RH**

### SAFETY WARNING

- Product **MUST** be installed by a licensed electrician in accordance with local standards.
- LED lamp **MUST ONLY** be connected to supplied our the supplied constant current LED driver. It is not compatible with any other type of driver. Failure to adhere to this may damage fitting and will void warranty.
- **DO NOT COVER** LED lamp or driver under any circumstances.
- Ensure main supply is not energised and/or disconnected prior to installation and during connection/disconnection of LED lamp from driver.
- This fitting must not be Megger tested or connected during any in-circuit testing.
- No This product does not contain user serviceable parts. Do not attempt to disassemble or repair LED lamp or driver.
- Do not use in flammable or explosive environments.
- Do not attempt to modify fitting or supplied wiring in any ways.
- Allow suitable sufficient air flow and ventilation around the fitting.

### DIMMER COMPATIBILITY DECLARATION

Our Luminaires are designed for industry and home commonly used household, compatible to standard phase dimmer for to achieve best lighting effects achievement and provide additional added values to our customer.

However, with thousands of dimmer models available in the market today, we cannot guarantee 100% compatibility. In order to avoid disappointment, our best advice is to use dimmers models that have been tested by us. The latest information of dimming compatibility will be available within our Dimmer Compatibility Card and can be obtained through our website and your local distributors.

If you have any dimmers model that is are not within our Dimmer Compatibility Card, please kindly contact us and send in your dimmers to get tested. We will response to you within the shortest possible time time possible and will advise you about of the compatibility to our Luminaires.

We will not be responsible for all the losses due to the incompatibility of the dimmer to our Luminaires. Incompatibility That includes abnormal operation, i.e flicker, throb, delayed on/off, failure, narrow dimming ranges etc. and not limited to the above mentioned conditions mentioned above.